

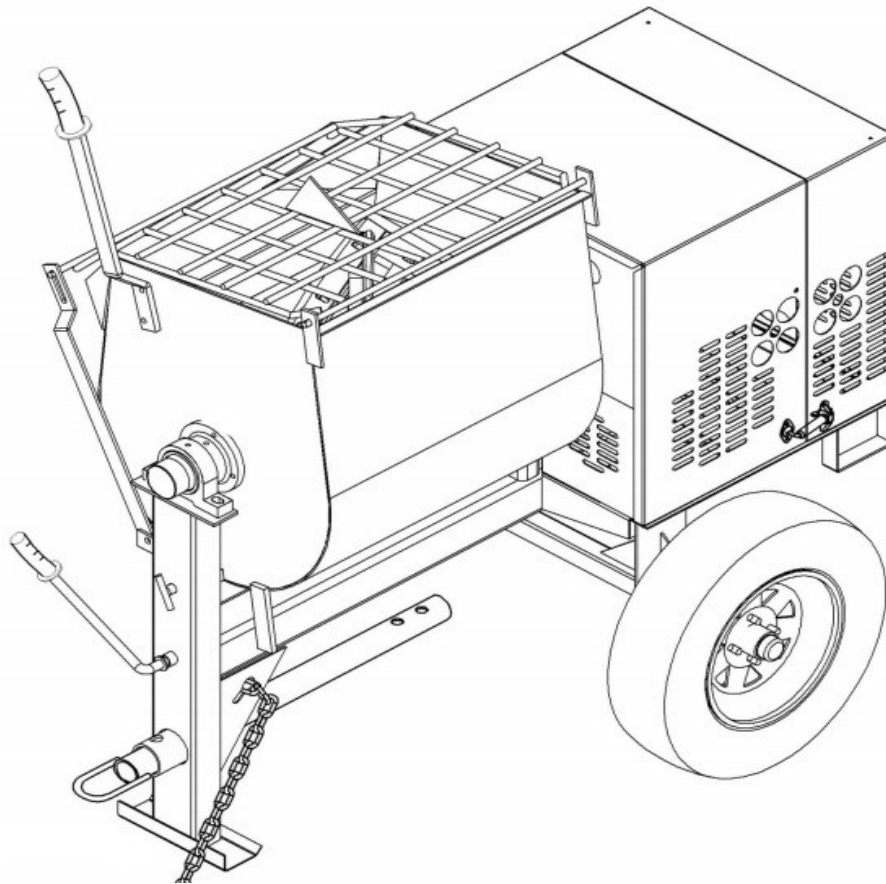


**BARTELL  
GLOBAL**

**PARTS  
BOOK**

# MORTAR AND PLASTER MIXER

MMH12



Doc. # PB-B19062  
Orig. Rel. - 12/2021  
Curr Rev. - 01

INTENTIONALLY LEFT BLANK

INTENTIONALLY LEFT BLANK

[www.BartellGlobal.com](http://www.BartellGlobal.com)

**CANADA**

170 Traders Blvd E  
Mississauga, Ontario L4Z 1W7  
TEL (647) 953-4100 FAX (647) 953-4101

**KENTUCKY**

4701 Allmond Ave  
Louisville, Kentucky 40209  
TEL (425) 405-9100 FAX (425) 405-9101

**UK**

Honeyholes Lane  
Dunholme, Lincoln, UK LN2 3SU  
TEL 01673 860709 FAX 01673 861119

**NEW JERSEY**

200 Commerce Drive, Unit A  
Freehold, New Jersey 07728  
TEL (848) 225-8100 FAX (848) 225-8101

**ORIGINAL LANGUAGE OPERATING MANUAL FOR  
BARTELL RIDE-ON TROWELS**

© 2024 Bartell Global Inc.

No part of this work may be reproduced or transmitted in any form or by any means, electronic or mechanical, including photocopying and recording, or by any information storage or retrieval system without the prior written permission of Bartell Morrison Inc. unless such copying is permitted by federal copyright laws.

**ADDRESS INQUIRIES OR REFERENCE PERMISSIONS CARE OF:**

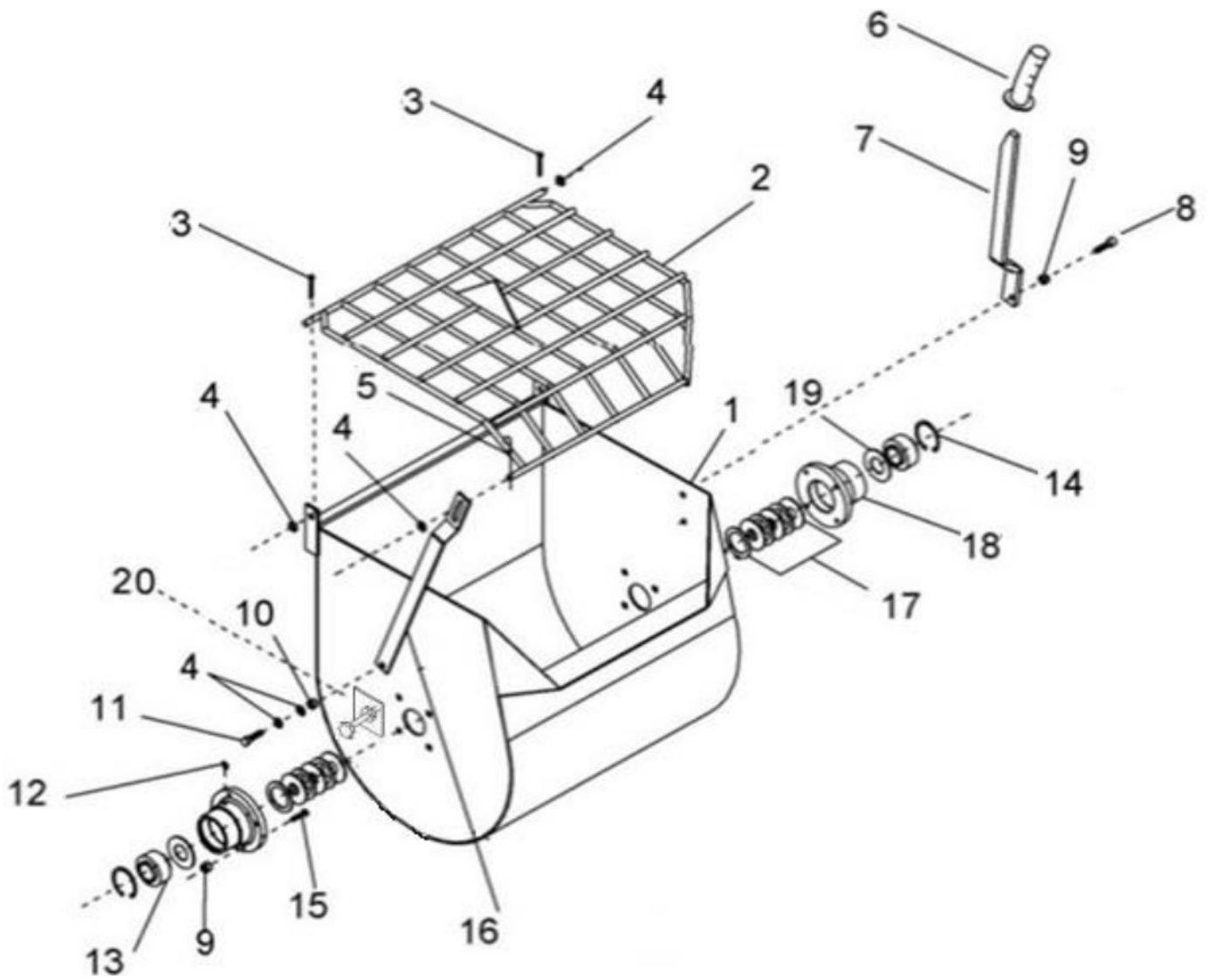
Bartell Global, 170 Traders Blvd E., Mississauga, Ontario, Canada, L4Z 1W7

REV.	DATE	DESCRIPTION	APPROVED BY:
00	12/21	RELEASED	A.Nakkila
01	07/24	Logos Updated	A.Nakkila

## TABLE OF CONTENTS

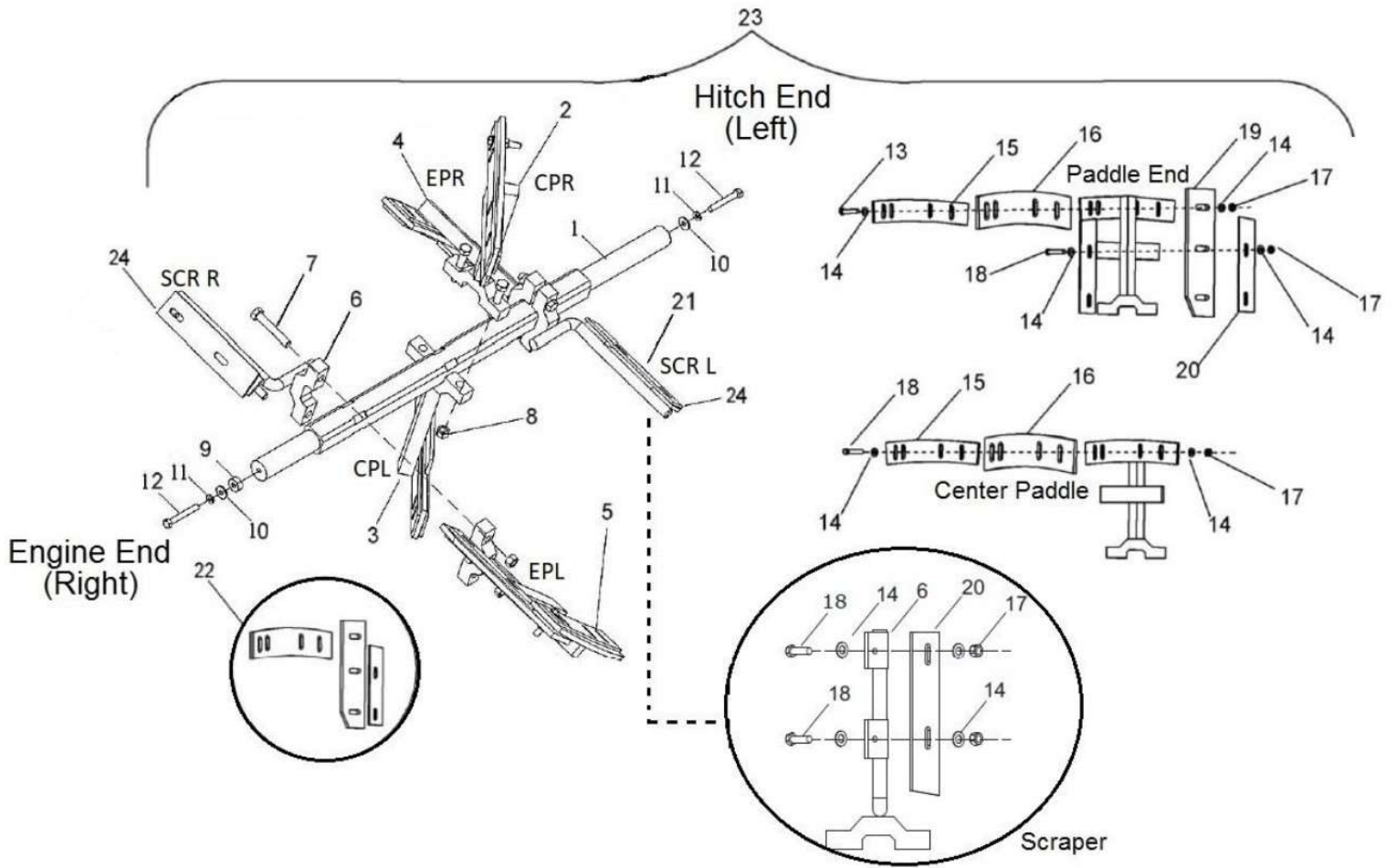
<b><u>PARTS LIST 1: MORTAR MIXER</u></b>	<b>5</b>
PARTS LIST 1: DRUM ASSEMBLY	6
<b><u>PARTS LIST 2: MORTAR MIXER</u></b>	<b>7</b>
PARTS LIST 2: PADDLE ASSEMBLY	8
COMPLETE PADDLE ASSEMBLY	8
<b><u>PARTS LIST 3: MORTAR MIXER</u></b>	<b>9</b>
PARTS LIST 3: FRAME ASSEMBLY	10
<b><u>PARTS LIST 4: MORTAR MIXER</u></b>	<b>11</b>
PARTS LIST 4: HOOD ASSEMBLY	12
<b><u>PARTS LIST 5: MORTAR MIXER</u></b>	<b>13</b>
PARTS LIST 5: DRIVE ASSEMBLY	14
<b><u>PARTS LIST 6: MORTAR MIXER</u></b>	<b>15</b>
PARTS LIST 6: MOTOR/ENGINE ASSEMBLY	16
<b><u>PARTS LIST 7: MORTAR MIXER</u></b>	<b>17</b>
PARTS LIST 7: HYD HOSES & FITTINGS ASSEMBLY	18

**PARTS LIST 1: MORTAR MIXER**



PARTS LIST 1: DRUM ASSEMBLY			
ITEM #	PART #	DESCRIPTION	MMH12
	T700	DRUM ASSEMBLY COMPLETE MMH12 40"	1
1	T711	DRUM MMH12 40"	1
2	T605	DRUM GRID W/ BAG CUTTER MMH12	1
3	T111	GRID PIN COTTER, 3/16" X 2"	2
4	T105	PLAIN WASHER 1/2"	5
5	T110	GRID/HITCH HAIR LOCK PIN 3/16"	3
6	T166-1	DRUM DUMPING HANDLE GRIP	1
7	T168	DRUM DUMPING HANDLE W/ GRIP	1
8	T176	HEX BOLT 3/8" X 1-1/2"	2
9	T114	HEX LOCK NUT 3/8"	8
10	T106	HEX LOCK NUT 1/2"	1
11	T189	HEX BOLT HD 1/2" X 1 3/4"	1
12	T102	DRUM BEARING, GREASE FITTING 45 DEG	2
13	T175	BALL BEARING, 1746208-108	2
14	T177	DRUM TRUNNION RETAINING RING 3"	2
15	T174	CARRIAGE BOLT 3/8" X 1-1/2" GR2 ZP	8
16	T589	MM12 DRUM DUMPING LOCK BAR	1
17	T172	DRUM HUB SEALS KIT (ONE END)	2
18	T173-2	TRUNNION 4 HOLES FOR 3/8" SCREWS	1
19	T169	DRUM HUB STEEL SPACER	2
20	N/A	HEX BOLT HD, 1 X 4-1/2" W/ WELD SUPPORT FOR HYD PISTON	1

**PARTS LIST 2: MORTAR MIXER**



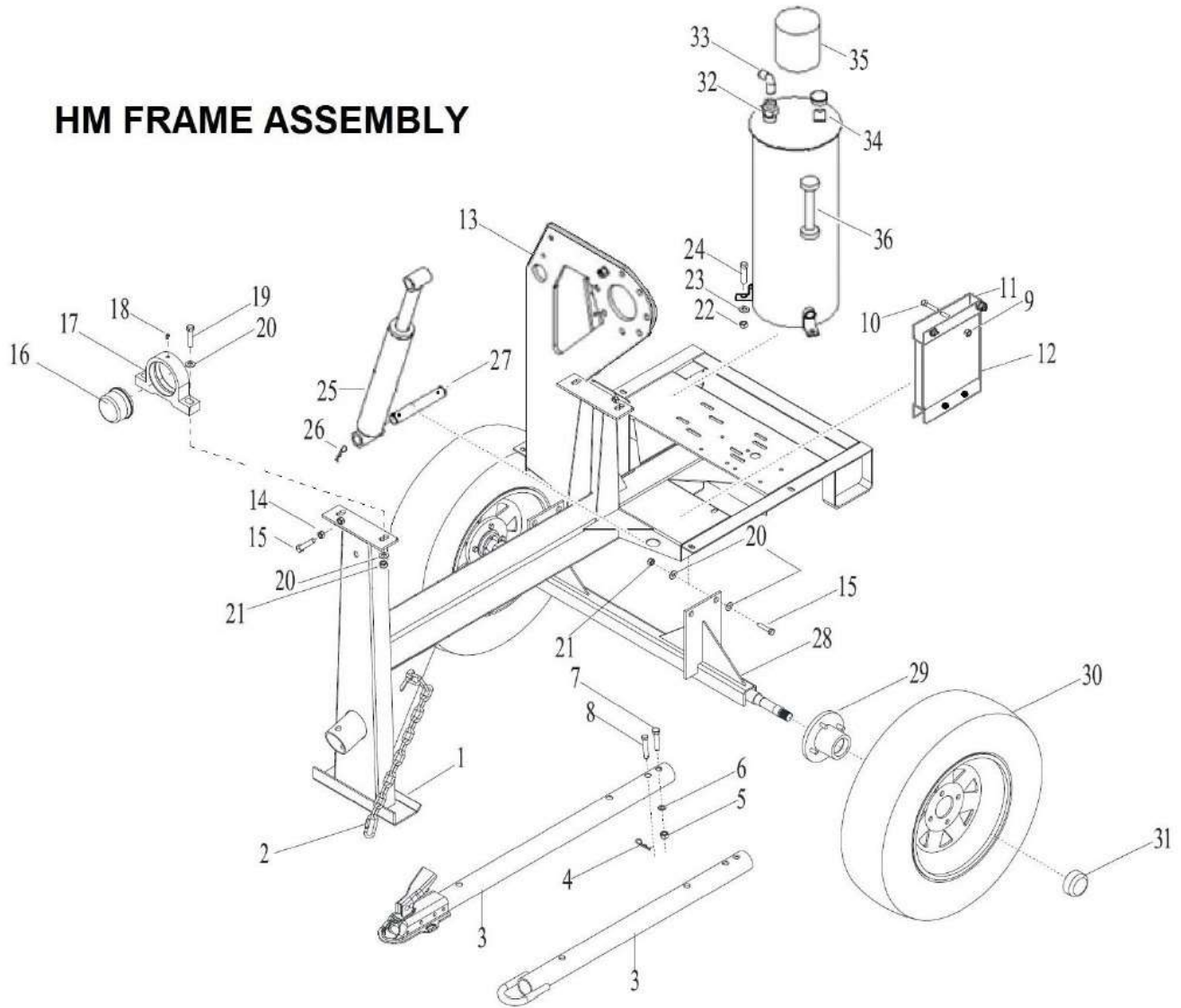


PARTS LIST 2: PADDLE ASSEMBLY			
ITEM #	PART #	DESCRIPTION	MMH12
1	T741	SQUARE MAIN SHAFT 1-3/4" X 52-3/4" MMH12	1
2	T306-2	CENTER PADDLE RIGHT ARM (1" GRIP)	1
3	T308-2	CENTER PADDLE LEFT ARM (1" GRIP)	1
4	T314-2	HITCH END, END PADDLE RIGHT ARM (1" GRIP)	1
5	T309-2	ENGINE END, END PADDLE LEFT ARM (1" GRIP)	1
6	T713	ENGINE END, END SCRAPER LEFT (1" GRIP)	1
7	N/A	HEX BOLT HD 1/2 X 3-1/2 (1" GRIP PADDLES)	6*
8	T106	HEX LOCK NUT 1/2"	6
9	T413	MAIN SHAFT BUSHING	1
13	T145	HEX BOLT HD, GR5 3/8" X 2"	4
14	T112	PLAIN WASHER 3/8"	40
15	T180	CENTER PADDLE RUBBER BLADE	4
16	T181	CENTER PADDLE STEEL BLADE	4
17	T114	HEX LOCK NUT 3/8"	20
18	T176	HEX BOLT 3/8" X 1-1/2"	18
19	T310	END PADDLE SIDE RUBBER BLADE	2
20	T311	END PADDLE SIDE STEEL BLADE	2
21	T714	HITCH END, END SCRAPER RIGHT	1
22	T301	RUBBER BLADE KIT	1

COMPLETE PADDLE ASSEMBLY			
ITEM #	PART #	DESCRIPTION	MMH12
23	T306-H12	COMPLETE PADDLE SET MMH12 (T306-1 + SCRAPERS) (1" GRIP)	1
*	T742	SPIRAL BLADE KIT	1

**PARTS LIST 3: MORTAR MIXER**

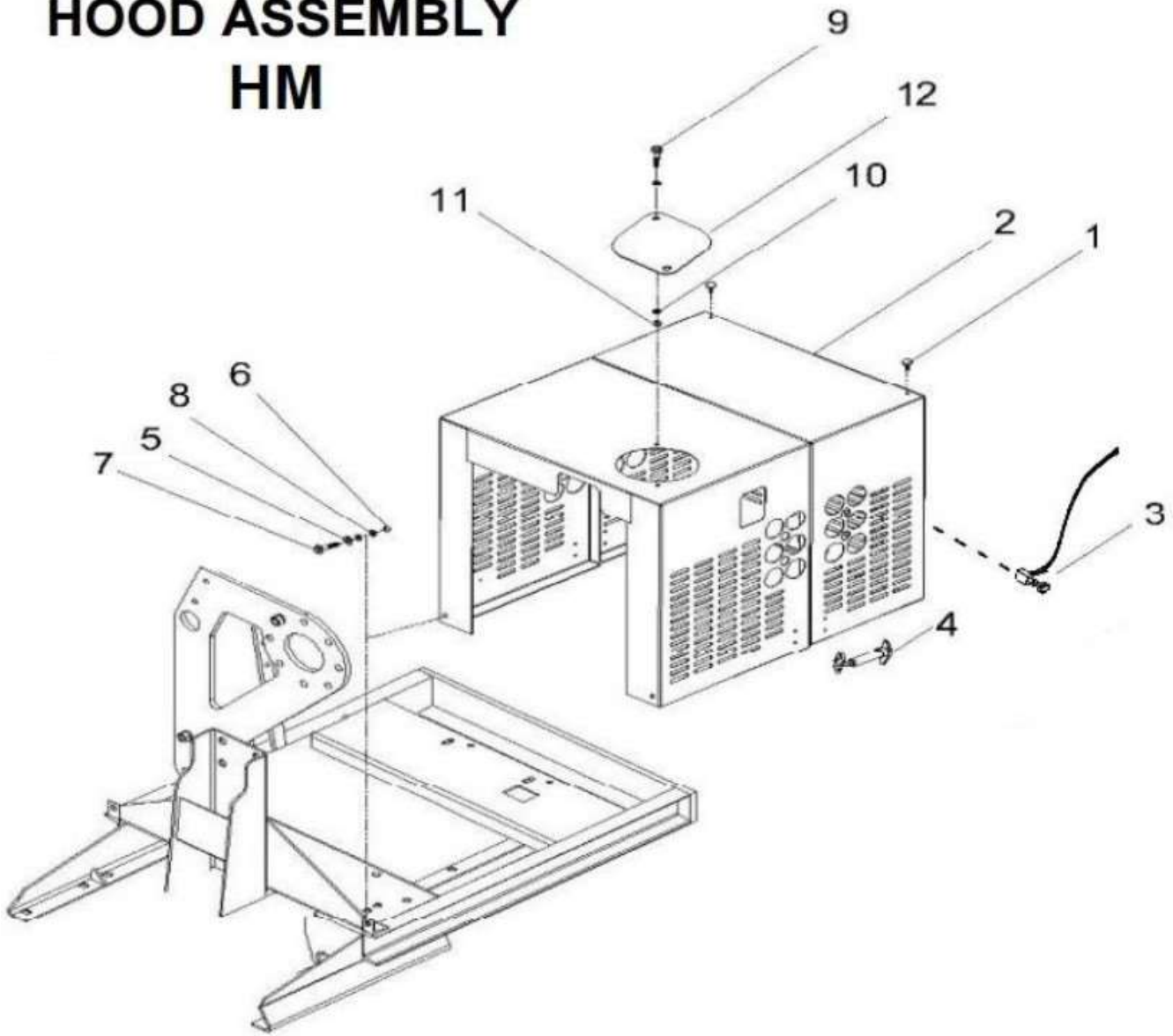
**HM FRAME ASSEMBLY**



PARTS LIST 3: FRAME ASSEMBLY			
ITEM #	PART #	DESCRIPTION	MMH12
1	T707H	FRAME MMH12	1
2	T501	5/16 SAFETY CHAIN W/ OVAL SNAPS	1
3	T118-V	PINTLE HITCH VERTICAL HOLE	1
3	T119-V	2" BALL HITCH VERTICAL HOLE	1
3	T119-BD	BULLDOG HITCH T119-BD (VERTICAL HOLE)	1
4	T110	3/6" COTTER PIN CP-85H	1
5	T124-1	TOWING HITCH, HEX NUT, 5/8 NF	1
6	T123-1	TOWING HITCH, SPRING WASHER 5/8"	1
7	T122-1	TOWING HITCH, HEX HEAD SCREW 5/8" X 3-1/2"	1
8	T121-1	TOWING HITCH, LOCK PIN	1
9	T148	HEX LOCK NUT 5/16"	2
10	T201	HEX BOLT HD 5/16" X 3"	2
11	412167	SPACER	4
12	412902	HYDRAULIC OIL COOLER 4FZ0801C-7.5 X 7.5	1
13	412810	ARM, REACTION	1
14	T190	HEX LOCK NUT 1/2"	1
15	T684	ARM, LEVER	1
16	T683	PIN SPR SL STD 5/16 X 1 - 1/2"	2
17	T101	3" DRUM PILLOW BLOCK	2
18	T102	DRUM BEARING, GREASE FITTING 45 DEG	2
19	T104	HEX BOLT HD 1/2" X 2-1/2"	4
20	T105	PLAIN WASHER 1/2"	17
21	T106	HEX LOCK NUT 1/2"	9
22	C138	HEX BOLT 3/8 X 1	3
23	T113	LOCK WASHER 3/8	3
24	T114	HEX LOCK NUT 3/8"	3
25	T722	CYLINDER, HYD 2" X 10"	1
26	135990	PIN, COTTER 3/16 X 1-1/2"	2
27	412855	CYLINDER PIN 1 X 6.5"	1
28	T425	AXLE NO HUBS FOR HYD MIXER	1
28	T-425-1	AXLE WITH HUBS FOR HYDRAULIC MIXER	1
29	T129-1	WHEEL HUB W/ 1" BRG L44643 & DUST CAP	2
30	T137	WHEEL & TIRE ASSY 165-80 R13"	2
31	T136-1	HIGH SPEED WHEELS HUB, DUST CAP (NEW STYLE)	2
32	412948	HYD TANK FITTING	1
33	412919	ADAPTER 90° #8JICFEM/#8JIC ML	1
34		BREATHER FILTER-BF-12P-5 10MIC	1
35	HF6056	HYD FILTER (OPTIONAL)	1
36	485115	SCREEN, SUCTION - 100 MESH 1" NPT	1
37	412801	RESERVOIR OIL ASSEMBLY (4 GALLONS)	1

**PARTS LIST 4: MORTAR MIXER**

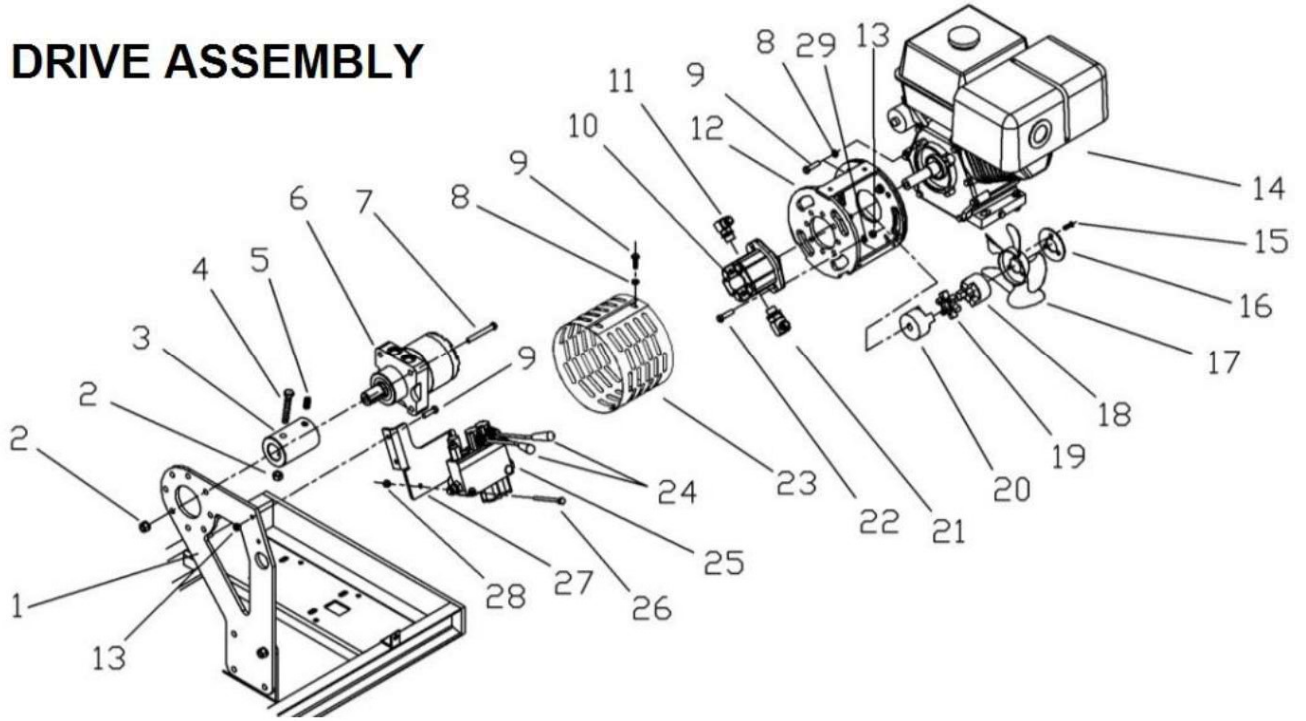
**HOOD ASSEMBLY  
HM**



PARTS LIST 4: HOOD ASSEMBLY			
ITEM #	PART #	DESCRIPTION	MMH12
1	T158	RUBBER SCREW 1/4" FOR SHROUD	4
2	T686	SQUARE SHROUD ASSEY COMPLETE	1
3	T193	ENGINE KILL SWITCH ASSEY RED (WITH HARNESS)	1
3	T195-1	ENGINE N.O KILL SWITCH RED (NO HARNESS)	1
4	T160	SHROUD HOOK ASSEMBLY	2
5	T112	PLAIN WASHER 3/8"	8
6	T114	HEX LOCK NUT 3/8"	4
7	134990	HEX BOLT HD, 3/8 X 1-1/4 HX GR5	4
8	T105	PLAIN WASHER 1/2"	4
9	174990	PLAIN WASHER, 5/16 ID X 3/4 OD FL ZP	4
10	R148	HEX LOCK NUT 5/16"	2
11	225980	HEX BOLT, 5/16X 1 HX GR2 CP NC	2
12		ENGINE SHROUD LID ACCESS	1

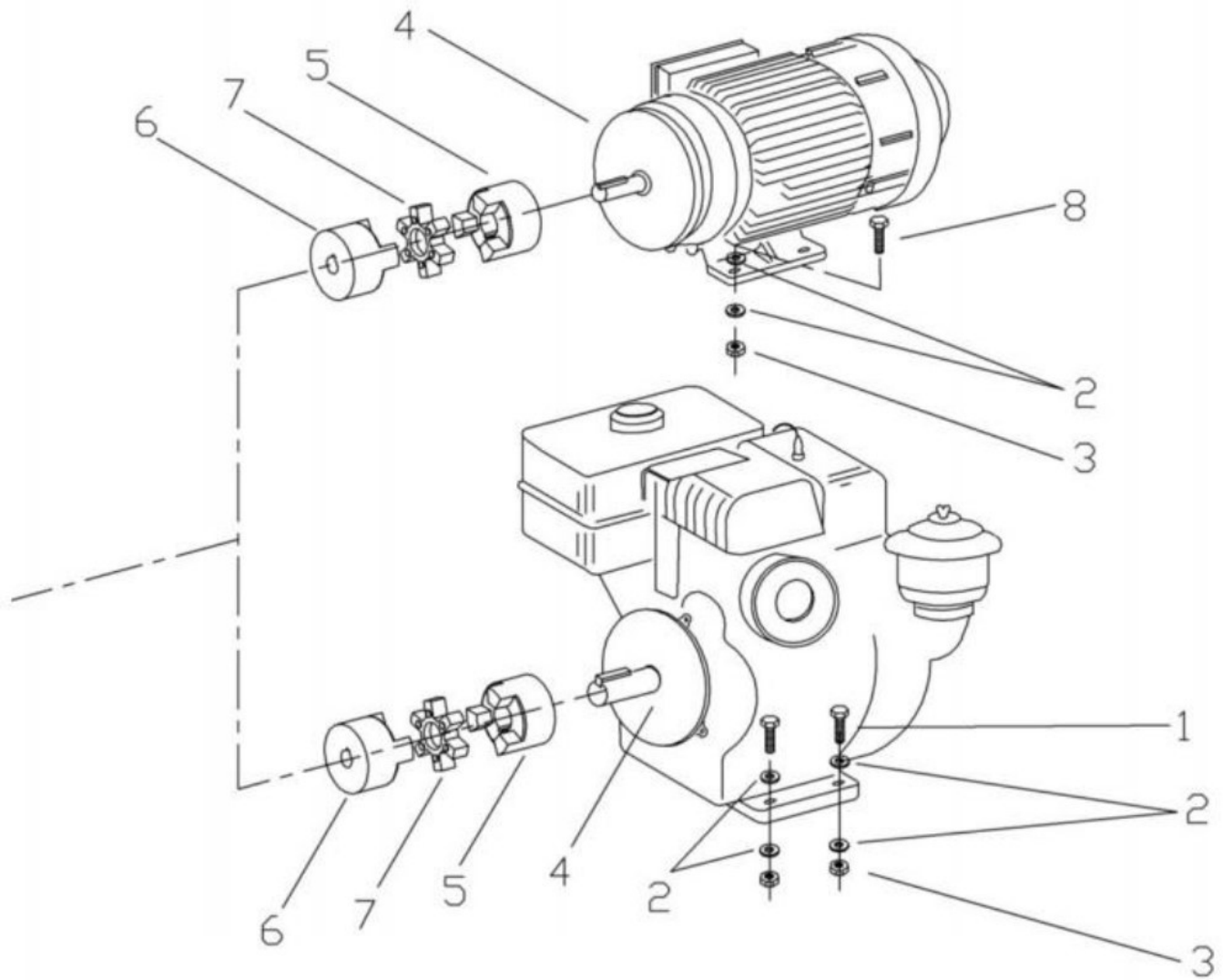
**PARTS LIST 5: MORTAR MIXER**

**DRIVE ASSEMBLY**



PARTS LIST 5: DRIVE ASSEMBLY			
ITEM #	PART #	DESCRIPTION	MMH12
1	412810	ARM, REACTION	1
2	T106	HEX LOCK NUT 1/2"	5
3	701002	COUPLER, 1.5" W/PIN 1.5" W/KEY (3-3/4" LONG)	1
3	412814	COUPLER, 1.5" W/PIN 1.5" W/KEY (4-1/2" LONG)	1
4	401006	HEX BOLT GR5 1/2 X 4	1
5	228028	SET SCREW, 5/16 X 3/8	1
6	412950	MOTOR, HYD 31.95 CU IN/REV	1
7	226690	HEX BOLT HD 1/2" X 2-1/2"	4
8	T113	LOCK WASHER 3/8	6
9	C138	HEX BOLT 3/8 X 1"	8
10	412927	HYD PUMP .366 IN3 REV (GAS MODEL ONLY)	1
10	412928	HYD PUMP .659 IN3 REV (ELECTRIC MODEL ONLY)	1
11	412926	ADAPTER, 90°#10 ORB MALE ~ #10 JIC	1
12	412800	PUMP MOUNT W.A. "A" FLANGE	1
12	702008	PUMP MOUNT W.A. ELECTRIC MOTOR	1
13	T114	HEX LOCK NUT 3/8"	4
14	N/A	MOTOR/ENGINE	1
15	142532	SCREW, 5/16X3/4 CS SOCK HD GR12	3
16	412815	FAN, 2"	1
17	412851	FAN, 8" CCW	1
18	N/A	ENGINE COUPLER, SEE ENGINE OPTIONS	1
19	N/A	COUPLER INSERT, SEE ENGINE OPTIONS	1
20	N/A	HYD PUMP COUPLER, SEE OPTIONS	1
21	412920	ADAPTER 90° #12 ORB MALE #10 JIC	1
22	226250	HEX BOLT HD, GR5 3/8" X 2"	2
23	412820	GUARD, 9" DIA.	1
*	702009	ELECTRIC MOTOR GUARD	1
24	485704	HANDLE, HYD MIX VALVE	2
25	412914	VALVE 2SPOOL PRESS COMP	1
26	701009	HEX BOLT HD 5/16" X 3"	2
27	412818	BRACKET, VALVE MOUNTING	1
28	227821	HEX LOCK NUT 5/16"	2
29	174986	PLAIN WASHER 3/8"	4

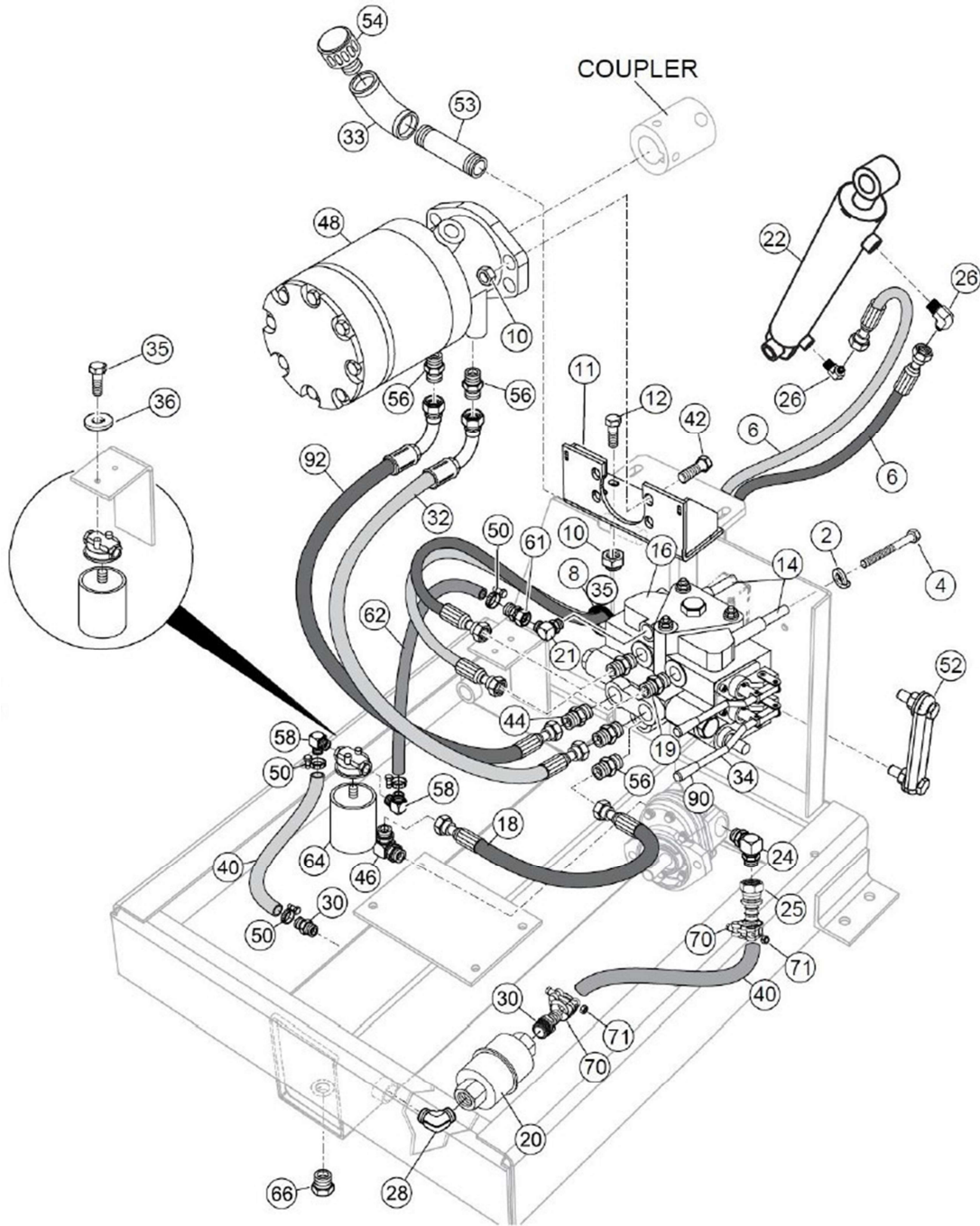
**PARTS LIST 6: MORTAR MIXER**





PARTS LIST 6: MOTOR/ENGINE ASSEMBLY			
ITEM #	PART #	DESCRIPTION	MMH12
1	226240	HEX BOLT HD, 3/8 X 1-3/4	4
2	174986	PLAIN WASHER 3/8"	8
3	227830	HEX LOCK NUT 3/8"	4
4	N/A	HONDA 13 HP	1
5	412856	COUPLER, L100 & L70 X 1" DIAM SHAFT	1
4	219991MS	BALDOR MOTOR, 5HP, 3PH, 60HZ 575V, W/C-FACE	1
5	412859	COUPLER, L100 X 1.125" DIA.	1
4	219993	MOTOR, 7.5 HP, 3-575, EXT SHAFT, 1" C FI	1
5	412871	COUPLER, L100 X 1.375" DIA	1
4	219999	MOTOR, 7.5 HP, 1-115/230, 1" C FLG	1
5	412871	COUPLER, L100 X 1.375" DIA	1
4	220000	MOTOR, 7.5 HP, 3-239/460, EXT SHAFT	1
5	412871	COUPLER, L100 X 1.375" DIA	1
6	412853	COUPLER, L100 X 5/8" DIA. ELEC MOTOR	1
6	702007	COUPLER, L100 X 3/4" DIA. GAS ENGINE	1
7	412854	INSERT, L099-100U BLUE	1
8	226210	BOLT, HEX HD, 3/8 X 1	4

**PARTS LIST 7: MORTAR MIXER**



PARTS LIST 7: HYD HOSES & FITTINGS ASSEMBLY			
ITEM #	PART #	DESCRIPTION	MMH12
1	412858	KIT, SPOOL DETENT	1
2	412903	RESERVOIR TO PUMP BUTTOM HOSE 3/4 X 16" #10 JIC - #10 JIC	1
3	412904	VALVE TO PUMP SIDE HOSE, 1/2 X 18" #10 JIC - #10 JIC	1
4	412905	VALVE TO CYLINDER HOSE, 3/8 X 72" #6 JIC - #6 JIC	2
5	412906	VALVE TO MOTOR HOSE, 1/2 X 24" #10 JIC - #10 JIC	2
6	412907	COOLER TO VALVE & FILTER HOSE, 1/2 X 18" #8 JIC - #8 JIC	2
7	412909	CYLINDER VALVE ADAPTER 90 DEG #4 NPT - #6 JIC	2
8	412910	VALVE ADAPTER, #8 ORB - #10 JIC	2
9	412911	VALVE ADAPTER, #12 ORB - #8 JIC	1
10	412912	FILTER ADAPTER, 45 DEG #8 NPT - #8 JIC	1
11	412913	RESERVOIR BUTTOM, 45DEG #8 NPT - #10 JIC	1
12	412916	VALVE ADAPTER, #8 ORB - #6 JIC	2
13	412917	VALVE ADAPTER, PLUG #10	1
14	412918	VALVE ADAPTER, PLUG #8	1
15	412919	FILTER ADAPTER, 90 DEG #8 JIC FERN - #8 JIC MALE	2
16	412922	HYD MOTOR ADAPTER, 45 DEG #10 ORB - #10 JIC	2
17	412925	VALVE ADAPTER, HYD #8 ORB - #8 JIC	1
18	412932	RESERVOIR FITTING, PLUG, #8 NPT	2
19	485104	VALVE ADAPTER, 90 DEG #10 JIC FERN - #10 JIC MALE	1
20	485115	RESERVOIR SCREEN, SUCTON - 100 MESH 1" NPT	1

CONTRACTOR PROVEN EQUIPMENT SINCE 1946

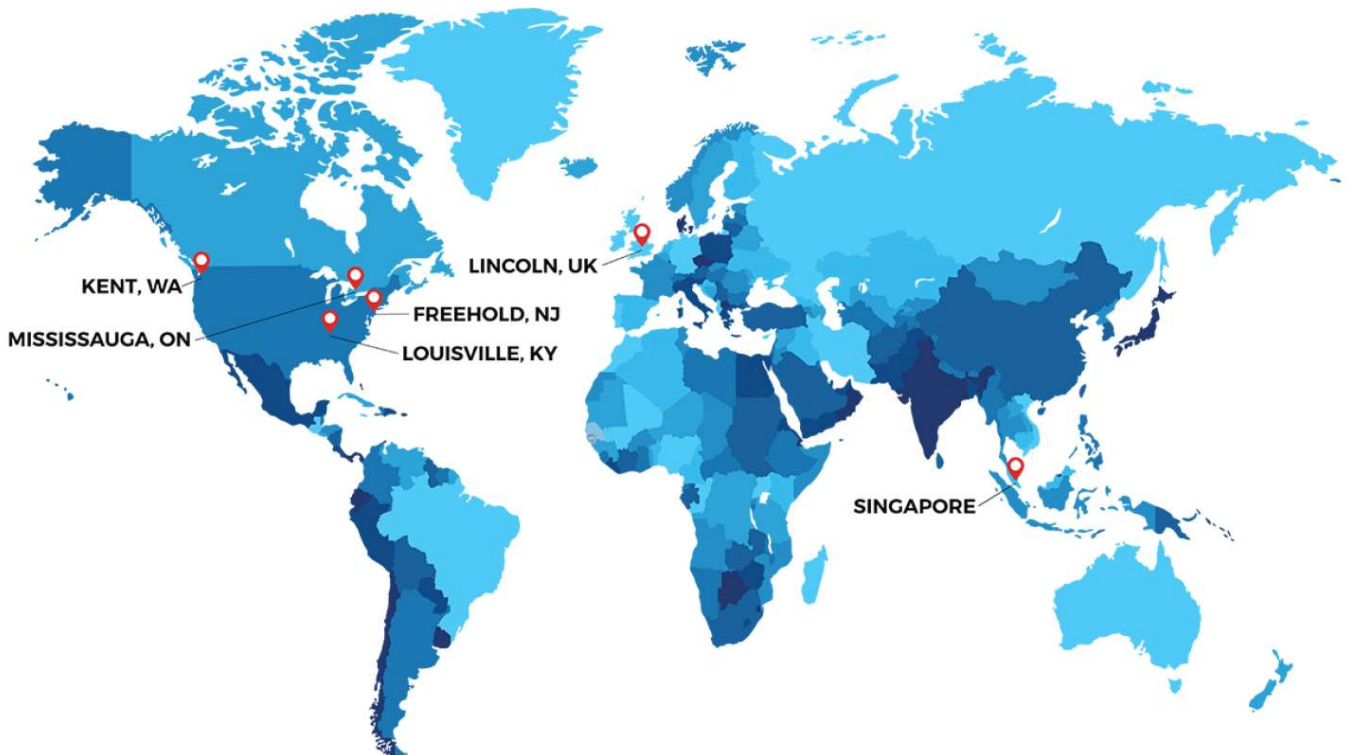


170 Traders Blvd E  
Mississauga, ON L4Z 1W7  
Canada

4701 Allmond Avenue  
Louisville, KY 40209  
United States

200 Commerce Drive  
Freehold, NJ 07728  
United States

Honeyholes Lane  
Dunholme, Lincoln LN2 3SU  
United Kingdom



[BartellGlobal.com](http://BartellGlobal.com)